

CNC Design Pty Ltd

A.B.N. 66 006 029 296

2/137-145 Rooks Road, Nunawading

Victoria, Australia, 3131

+61 3 9417 2820

gudel@cncdesign.com.au

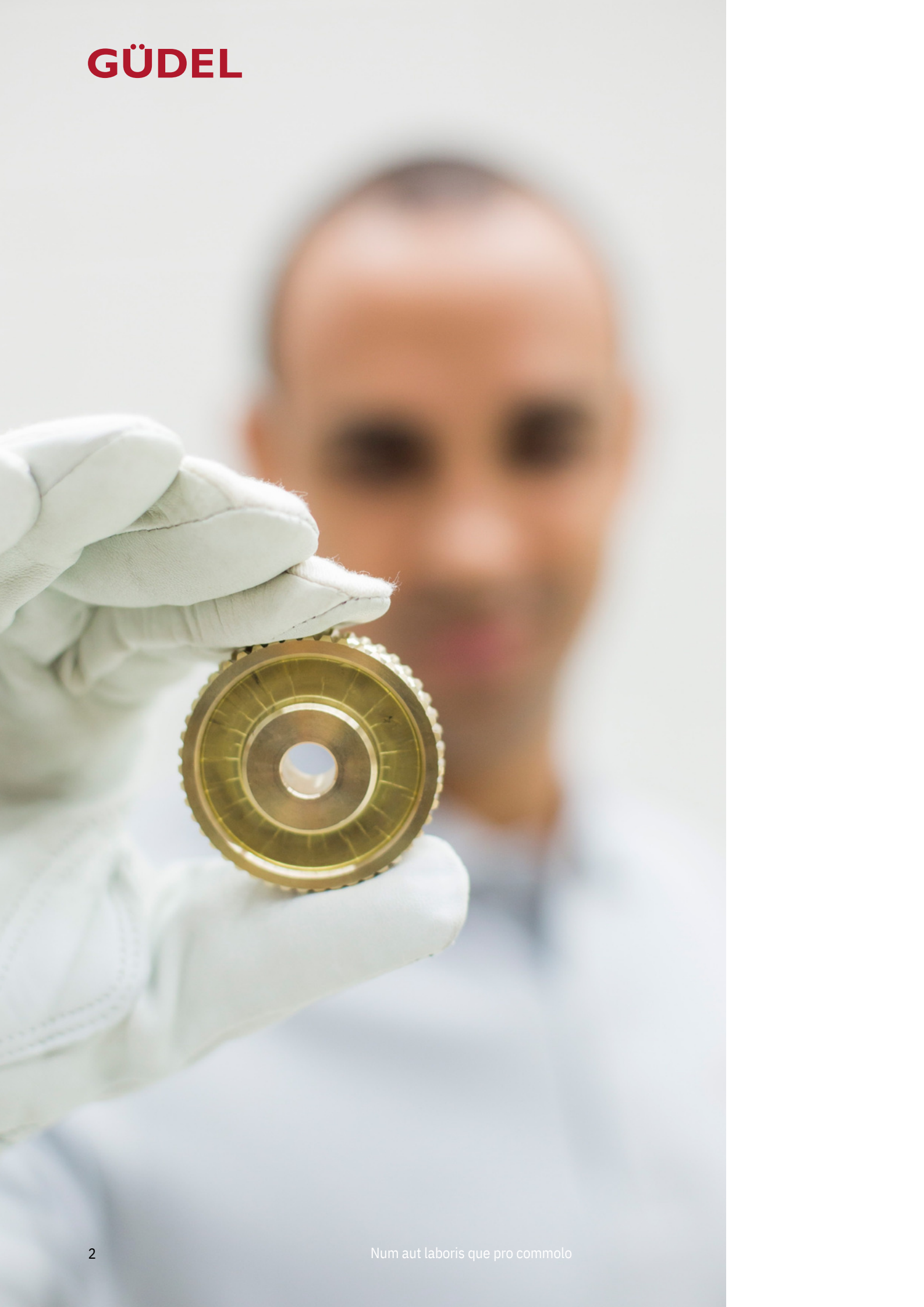
www.cncdesign.com.au



We get your process moving

Product and solution portfolio





We are experts in getting your process moving

Güdel offers a wide range of products and solutions for a variety of industries. Our customers across the world receive first-class advice and services via our global sales and service network throughout the lifetime of their product.

How do we achieve this?

Güdel develops all its products to be fully functional and ready for production and manufactures all parts at its own facilities – worldwide. This high degree of in-house production enables us to control not only the quality and schedules, but also the manufacturing costs. Our extensive engineering expertise and excellent production efficiency allow us to operate with great flexibility. The modular software used in our integrated systems is designed and developed by Güdel employees. Güdel offers you comprehensive automation solutions – from A to Z.

With Güdel, you have one contact partner for all areas - competent and reliable – worldwide. With Güdel components, linear tracks, linear axis and gantries up to functional packages and turnkey solutions we get your processes moving.

Güdel Group

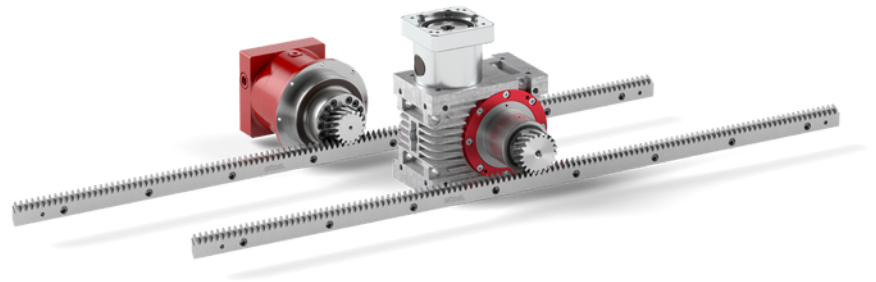
The Güdel Group is a manufacturer of high-precision machine components and provider of sophisticated automation solutions. Its range of products extends from linear guideways, racks, pinions and drives, through to linear axes and gantry robots. Güdel assembles its products into systems with a high degree of control intelligence and into complete plant installations for the automotive, tire, metal, rail, intralogistics, pharmaceutical, renewable energy, wood and aerospace industries. Güdel's technology is characterized by innovation, quality and modularity.

The Güdel Group has a workforce of approximately 1,000 employees worldwide in over 20 locations. The Group has been owned by the same family since it was founded over 65 years ago. The Güdel Group has its headquarters in Switzerland.

Components

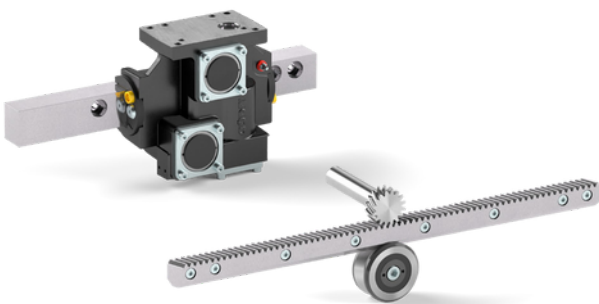
Linear and drive technology

Developing a coherent modular system is, without question, one of the most fascinating, but certainly also one of the most difficult tasks. Güdel has met this challenge in an impressive way. Components that are manufactured with precision in efficient batch sizes form the basis of our modular automation system because, just like standard parts, they can be replaced quickly, easily and safely at any time.



Drive Train Packages

The ideal drive train consists of a package of perfectly matched Güdel components, that can be easily integrated in many customer application: compact, powerful, robust and efficient. At Güdel, you benefit from the support of our extensive experience as a components manufacturer. We will be happy to design and size your drive train for you.



Guide packages

Güdel linear guides are particularly suitable for applications where high speeds, low friction, precise positioning and smooth running are required. In the medium series, both radial and axial forces can be absorbed. In addition, our racks combine the guidance and the linear drive solution in one element. For requirements regarding large forces and increased rigidity, the heavy series is used.



Guideways

Güdel linear guideways are characterized by their very high performance density, smooth running and pronounced process capability. Our precision guides allow high speeds and accelerations. Moving masses from 10 kilograms up to several tons can be precisely positioned. Güdel's linear components have proven themselves especially in machine tools, handling systems, special machines and many other systems.



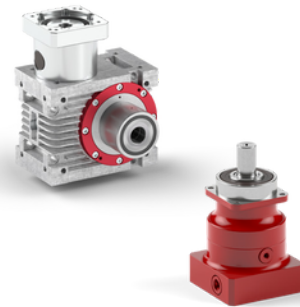
Racks

Güdel racks and pinions are manufactured to the highest quality. We will happily advise you and help you to find the best products for your application in terms of precision and performance. Alongside our standard range, we also supply custom-made products to provide you with the optimal solutions.



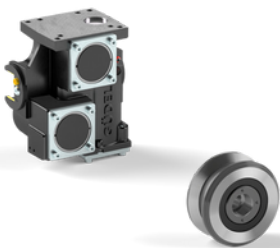
Gearing parts

The extended product portfolio of gearing parts includes various types of pinions, spur gears, worm gear sets as well as bevel gears, which we offer in different qualities and materials and also machine according to your requirements and specifications. We are also able to realize application-specific special designs according to your specifications.



Gearboxes

Our high-performance angle gearboxes are ideal for tough working conditions. They are dirt-resistant and can also work reliably in applications with very long strokes. Güdel planetary gearboxes are installed when high performance density and a high level of precision are required. They are characterized by their excellent quality, long service life and minimal maintenance requirements.



Rollers and roller guides

The Güdel rollers and roller guides ensure smooth movement within various applications and provide a safe transport and process. The roughness and shape accuracy is optimized for a maximum load carrying capacity. Güdel guide rollers and profiles can support high radial and axial loads. High speed and low noise operation is guaranteed. By optimizing the entire manufacturing process, we guarantee excellent service life.



View website
[https://www.gudel.com/
products/components](https://www.gudel.com/products/components)

Robotics

Linear Tracks for Robots

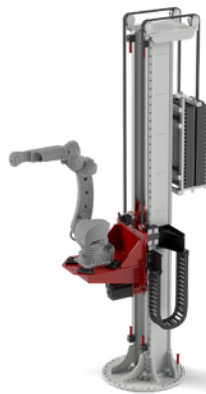
With the TMF, TMO and TMV linear robot tracks, Güdel offers a wide range of options for extending the working range of industrial robots by an additional axis. By extending the industrial robot working range, the production process can be optimized and the profitability of the investment can be increased. The horizontal and vertical linear axes can be used for many applications and in a wide range of industries. There are only a few limits...



TMF – TrackMotion Floor
Focus: Versatile floor-mounted linear track for a variety of applications such as welding, machine tending or various other handling applications.



TMO – TrackMotion Overhead
Focus: Linear track for overhead mounting which permits better use of the production areas and an optimal access to processes and machines



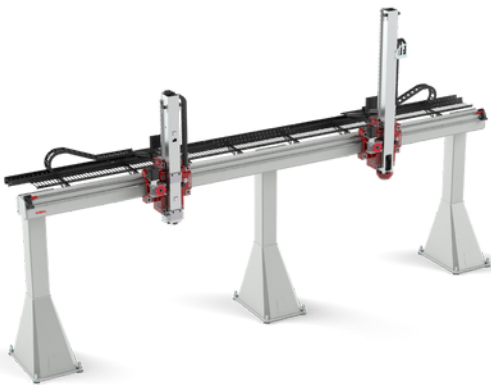
TMV – TrackMotion Vertical
Focus: Linear track allowing the vertical extension of the working envelope, like for paint or measuring applications, also combinable with floor-mounted linear tracks



View website
[https://www.gudel.com/
products/linear-tracks-for-robots](https://www.gudel.com/products/linear-tracks-for-robots)

Robotics Linear Axis and Gantries

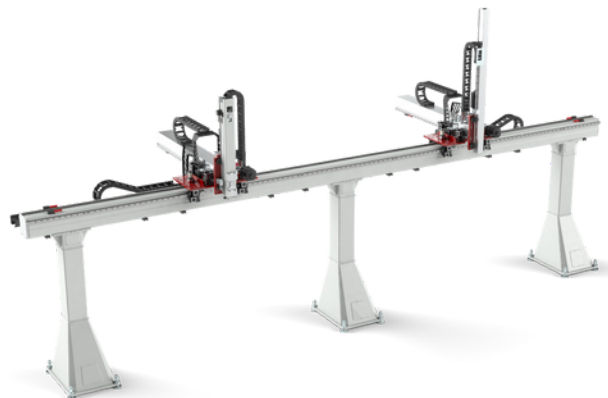
Güdel's gantry technology has proved itself as a guarantee of production efficiency. It meets the highest standards in terms of reliability, dynamics and precision. The gantry robots can be produced and adapted to meet the specific needs of the customer in a variety of axis configurations towards customer requirements. From the modular product system, the gantries can be supplemented from the pure mechanics with additional modules up to a function package.



ZP – Two-axis gantry
Focus: Machine tending in various industries such as metall industry, machine tools and automotive



FP – Area gantry
Focus: Sorting, palletizing, and commissioning applications, such as in intralogistics, tire and wheel plus any pick-&-place application – for largest work areas



CP – Cantilever gantry
Focus: Machine tending and palletizing applications in three axis with compact overall dimensions

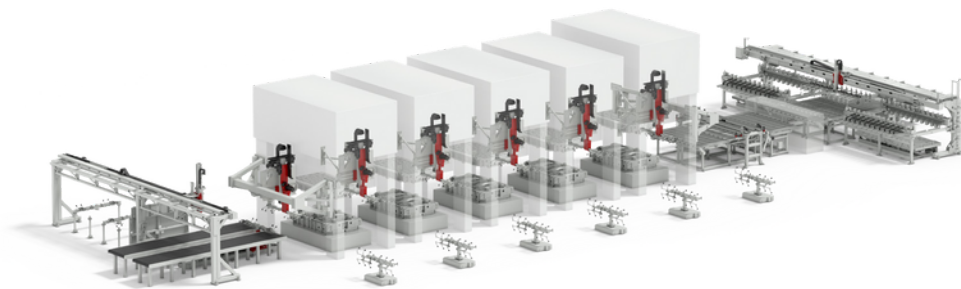
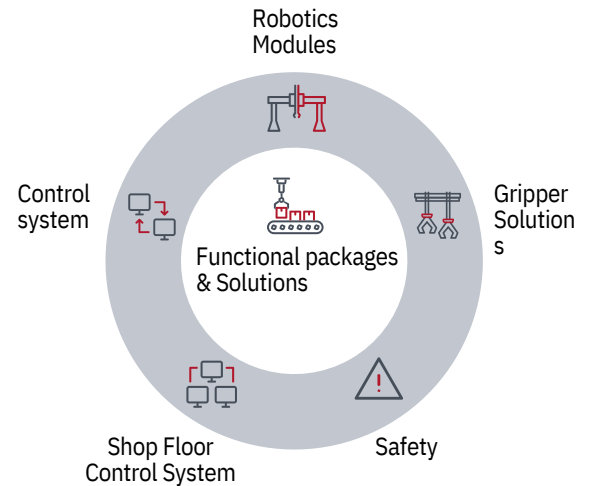


View website
[https://www.gudel.com/
products/linearaxis](https://www.gudel.com/products/linearaxis)

Solutions Functional Packages

Based on our modular, application-oriented function packages, we automate production processes individually from partial functions up to turnkey automation solutions. The combination of robotics linear tracks and gantries, control systems, reliable gripper solutions and the appropriate software components guarantee optimal functionality.

Our extensive experience in the implementation of customer requirements is demonstrated in successful automation projects in a great variety of industries and applications.



Press Automation Solutions

As a leading automation supplier, Güdel offers suitable solutions for all sub-processes in the area of press automation, both for tandem and transfer presses and retrofits. This begins with the destacking of blanks (Front of Line), extends to the press-to-press transfer (Press Line Transfer) and the handling of finished parts (End of Line).



Automation Solutions for Railway

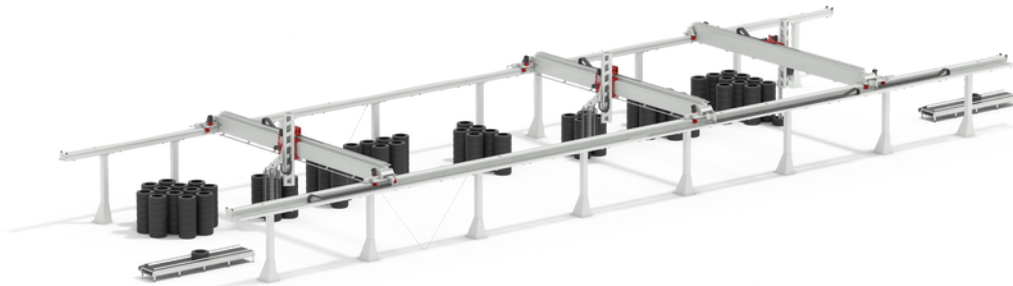
Güdel is well known for its many years of competence in the field of system solutions for the handling of railway wheels and axles. The portfolio includes a patented gripper for hot wheels with temperatures of up to 800 °C, maintenance equipment for wheelsets, machining and maintenance of chassis and other applications.

Solutions

Automating customer production processes

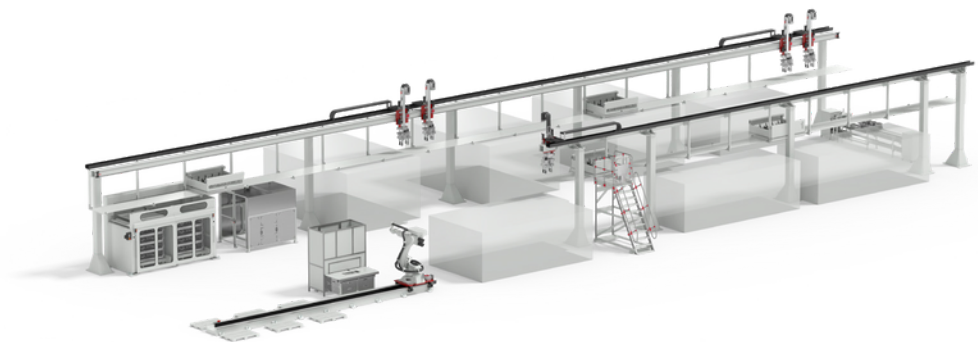
Güdel is the technology leader for system solutions that meet highest demands. Whether a function package or a turnkey automation system, we automate production processes thanks to our many years of experience and based on our modular product system. Dynamics and precision, combined with traverse ranges and axis combinations individually tailored to suit the application result in optimal solutions and maximum customer benefits.

With our network of strategic integration partners and our own branches worldwide, we are a global niche player in a variety of industries.



Logistic systems for the tire industry

The tire manufacturing process requires highly dynamic automation solutions. Güdel offers customized solutions especially in the area of handling and logistics of raw and finished tires. Typical applications include press loading, sorting and picking, palletizing and depalletizing.



Machine tending

Güdel offers complete automation solutions in the field of interlinking production machines and has many years of experience in the automated production of powertrain components as well as in battery production.



View website

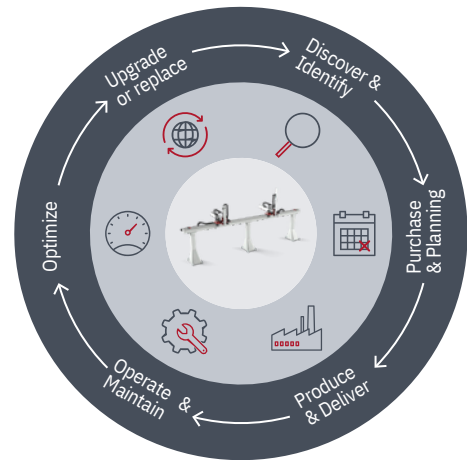
<https://www.gudel.com/competence-solutions/Solutions>

Digital Products & Services Data-driven innovation

Güdel has set itself the goal of understanding industrial automation across the entire product lifecycle. From the identification of needs, through initial contact, the evaluation and set-up phase, commissioning, ordering of spare parts and services, to retrofitting, Güdel sees itself as part of the solution and as an ideal partner.

This newly created interpretation of Güdel goes beyond the automation of the actual industrial value creation process. In this context, Digital Products and Services in combination with existing Güdel products and industrial solutions form the foundation for increasing machine availability, customer satisfaction and maximum efficiency throughout the product lifecycle.

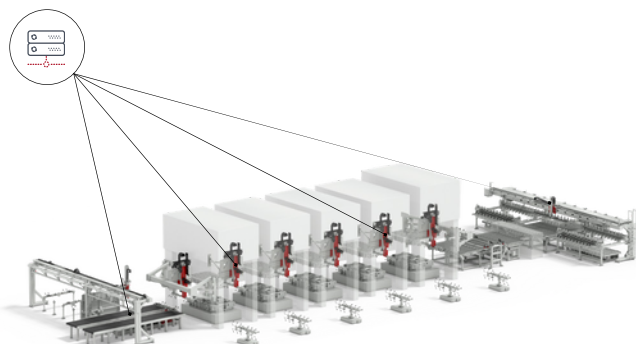
Hence our promise as Güdel:
We automate the industrial value creation process along the entire product lifecycle.



- Customer Value Creation Process
- Digital Products & Services
- Customer Process & Product Lifecycle

Digital Product: Maintenance Manager

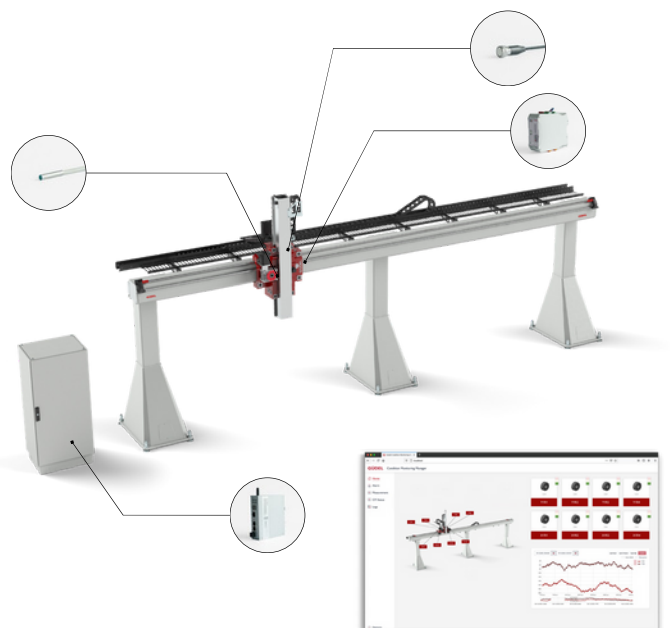
As part of the promise, the Maintenance Manager was developed. The application monitors the Güdel Press Automation and helps to quickly find solutions to problems. As a result, productivity at the customer's site can be increased. The Maintenance Manager collects and stores process data from the entire press automation system, dynamically calculates values and issues warnings when measured values exceed limits.




Digital Product: Rollen Condition Monitoring

The established roller condition monitoring package promises to significantly increase machine availability and to anticipate unexpected production downtimes. The parameters of individual components can be displayed via the designated dashboard. In addition, the calculated status is displayed via a traffic light system.

The roller condition monitoring package can be installed as an option on linear robot tracks and gantries.



 **View website**
<https://www.gudel.com/condition-monitoring>

Güdel Prime Care

Experience and competence from a single source

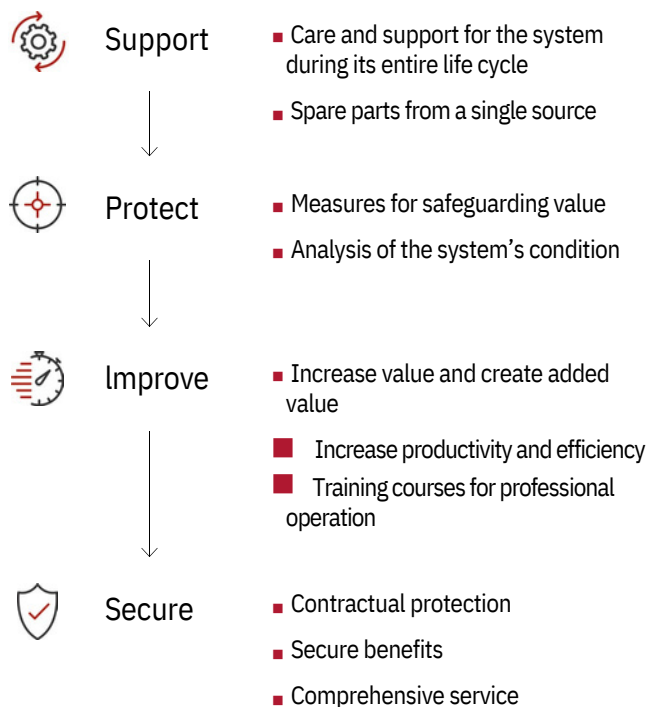
As a Güdel customer and owner of a Güdel system, you are very important to us. We listen to your wishes and provide optimum support for your system. We have a deep and broad understanding of the entire product range and application areas, from components through to system integration.

Our promise

We offer you as our customers a comprehensive, proactive and value-enhancing service, and this is exactly what we focus our services on. For us, Prime Care means bundling your various requirements into a suitable complete package. Thanks to our modular system, you will always receive Prime Care services that are tailor-made for you.

Our Prime Care model

Rising productivity and top availability of systems and machinery are only possible with prudent service. With our Prime Care concept, we will support, protect and improve your system, thereby ensuring smooth production processes. At the highest level, you secure the necessary services with a clear performance mandate by establishing an agreement with us.



In the event of malfunctions, we can be reached by phone around the clock, will localize faults via remote maintenance and bring the system swiftly back into operation.

We maintain your system, replace wear items in good time, and plan maintenance work. Regular inspections reveal weak spots before disruptions occur.

We optimize the system's processes and workflows. We use extension and modernization solutions to convert systems for new requirements.

We work with you to analyze your requirements and put together a suitable group of service products. As a result, you can plan all maintenance and support activities for the medium and long term. Our specialists examine the system in regular inspections and visits and recommend preventive measures.

Our building blocks

- Spare parts
- Repairs
- Component preparation
- Maintenance
- Inspection
- Wear parts packages
- Retrofit
- Training
- Production support
- Service agreement



View website
<https://www.gudel.com/services/prime-care>

GÜDEL

Do you know that feeling where you have a smooth workflow and everything is running without a hitch? And you are still producing excellent results. This is called flow.

Güdel brings flow to industrial automation by delivering intelligent motion solutions. For fewer breakdowns and friction losses. For better performance in less time. For really smooth production processes. Feel the FlowMotion.

Güdel Group AG
Gaswerkstrasse 26
4900 Langenthal
Switzerland
Phone +41 62 916 91
91 info@ch.gudel.com

We are here to help you. Worldwide.

CNCdesign

CNC Design Pty Ltd

A.B.N. 66 006 029 296

2/137-145 Rooks Road, Nunawading

Victoria, Australia, 3131

+61 3 9417 2820

gudel@cncdesign.com.au

www.cncdesign.com.au



gudel.com

EN | 06.22 | 10468421

